

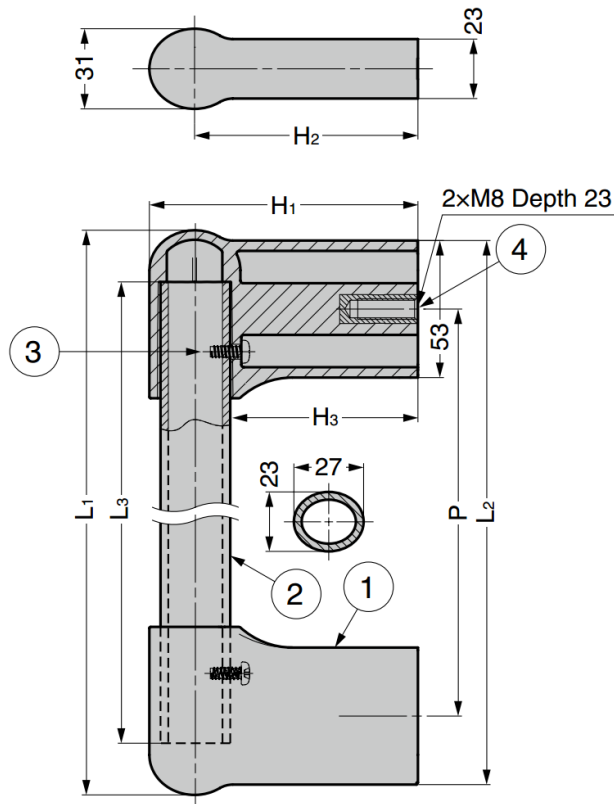
GMTH Aluminium Pipe Handle

Features

- Position of bracket (GMTH-T) is higher than typical handles, suitable for inset sliding door of machine tools
- GMTH-L with the same height as typical handles for total coordination with handle of machine tools
- Pipe and bracket are connected with screws, preventing pipe loosening and idling
- Elliptical pipe shape allows for easy gripping and sliding

Notes

- For single-sided mount, cannot be used for double-sided mount
- Recommended screw: M8



| No. | Part Name | Material | Finish / Colour |
|-----|---------------------------------------|------------------------|------------------------------------|
| ① | Bracket | Glass Filled Polyamide | Black |
| ② | Pipe | Aluminium Alloy | Anodised Silver |
| ③ | Countersunk head tapping screw 5 x 12 | Steel | Coloured Zinc Chromate (Trivalent) |
| ④ | Nut | Brass | Plain |

| Part No. | L ₁ | L ₂ | L ₃ | P | H ₁ | H ₂ | H ₃ | Load Capacity | |
|-----------|----------------|----------------|----------------|-----|----------------|----------------|----------------|---------------|-------|
| GMTH-L300 | 360 | 352 | 320 | 300 | 74 | 65.5 | 43 | 500 N | 51 kg |
| GMTH-L450 | 510 | 502 | 470 | 450 | | | | | |
| GMTH-L600 | 660 | 652 | 620 | 600 | | | | | |
| GMTH-T300 | 360 | 352 | 320 | 300 | 104 | 86.5 | 73 | | |
| GMTH-T450 | 510 | 502 | 470 | 450 | | | | | |
| GMTH-T600 | 660 | 652 | 620 | 600 | | | | | |